

LRS SERIES Outdoor Lighting

LED RESIDENTIAL LANTERNS WITH PHOTOCELL

LRS-B-MCT-PC

MCT Multi Color Temperature (Selectable)

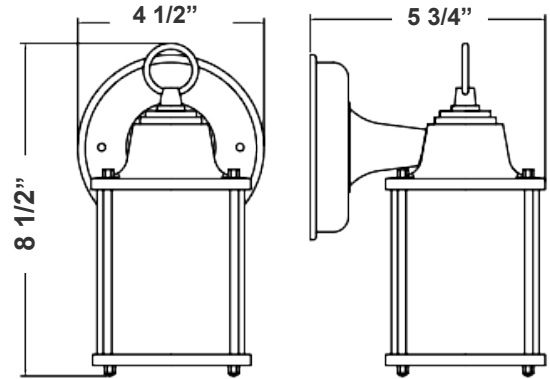


Customer Name: _____

Project Name: _____

Note: _____

Type: _____



8 1/2"(L) x 5 3/4"(W) x 4 1/2"(D)

LED Residential Lanterns With Photocell Is Ideal For General Site Lighting, Loading Docks, Doorway, Pathway And Parking Areas.

Features

- Back Plate: Die-cast aluminum
- Polycarbonate Lens
- 7-Year Warranty
- Includes Pre-Wired Photocell

Technical Specifications

Electrical:

- Voltage: 120V AC, 60 Hz
- Wattage: 6W
- Power Factor: 0.95
- Efficacy: 91 LM/W

Mechanical:

- Aluminum Housing With Powder Coated
- Clear Glass on 4 Sides. Open Bottom
- Includes Pre-Wired Photocell
- Operating Temperature: -40°F to 104°F
- Lifespan: 70,000 hr.
- IP Rating: IP65

Lighting:

- Multi CCT Switch is Inside Fixture
- LED: DOB
- Total Lumens: 550LM
- Color Temperature: 3000K/4000K/5000K
- Color Rendering Index: >80
- Beam Angle: 90° x 110°
- Rated Life: 70,000 Hrs

Applications:

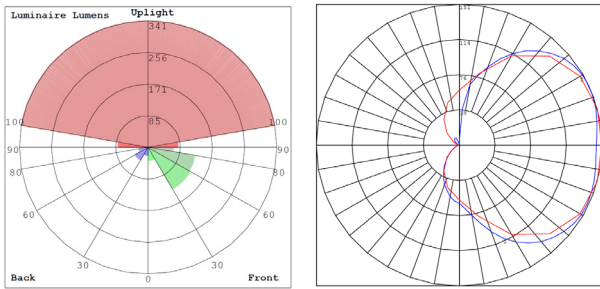
- LED Wall Pack With Double-Walled Clear/Frosted Lens Is Ideal For General Site Lighting, Loading Docks, Doorway, Pathway And Parking Areas.

Other Models:

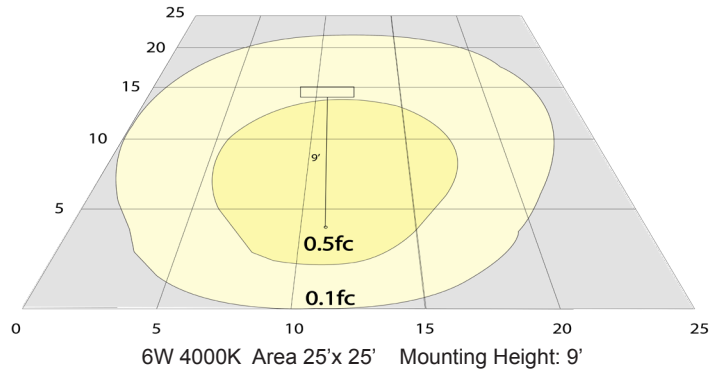
- 12W | 1150LM | LRS-A-MCT-PC



Photometrics: LRS-B-MCT-PC



BUD Rating: B0-U3-G1



Other Views:



Side View



Front View



Night View

Performance Table: LRS-B-MCT-PC

MODEL NO.	Wattage	Voltage	Lumens	Color Temp.	BUG Rating	LPW
LRS-B-MCT-PC	6W	120V	550LM	3000K 4000K 5000K	B0-U3-G1	91

Sample Ordering

Model
Color Temp.
Housing

LRS -
 B -
 MCT -
 PC

Other Models:



LRS-A-MCT-PC

